

iFAVINE®



SMART CONTROL



Wi-Fi CONNECTION



iFAVINE NETWORK



Contents

■ Company Introduction	01
■ iSommelier - Smart Decanter	02
■ iFAVINE Network	04
■ Benefits	06
■ Certifications	08
■ Product Information	09

Company Introduction

iFAVINE Group is a multinational company that combines intelligent hardware and internet technology. Our headquarters are located in Bordeaux France, we also have branch offices in Napa Valley United States, New South Wales Australia and Guangzhou China. Our team focuses on the global market, upholds the concept of “bringing inventions to life”, and is committed to providing a professional wine platform for information exchange and helping with solutions and improvements in the wine industry.

Our goal is to share our passion with wine enthusiasts and help them discover new ways to enjoy a greater wine tasting experience. We aim

to build the most professional wine communication platform making information exchange more efficient.

iFAVINE’s featured product is a smart decanter called “iSommelier”. It is an artistic and powerful device which combines pure oxygen extraction technology from France, database and cloud system technology from the United States, product research and testing from Australia and built in China by a reliable and high quality manufacturer.



iSommelier – Smart Decanter



iSommelier smart decanter is an aeration product which will bring you not only a better tasting experience but can also make the wine healthier to consume. The core concept of iSommelier smart decanter is to solve the limitations associated with traditional decanting. The traditional decanting process is complex and not always well understood by many wine consumers. iSommeleir will bring a more relaxed, more convenient, and more reliable tasting experience, and at the same time helping to reduce harmful elements in the wine.

iSommelier Smart Decanter Will Sublime the Traditional Wine Tasting Experience

Efficient Decanting, Enhanced Taste

Highly concentrated and purified oxygen comes in contact with the full body of the wine more evenly making the aeration more efficient. This reduces long decanting times required when decanting traditionally. The efficient and convenient aeration process suits the rapid pace of modern life.



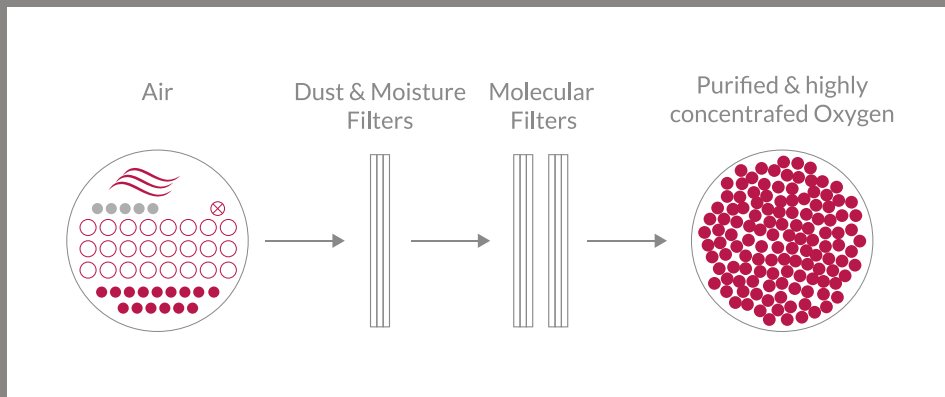
iFAVINE APP and Network

iFAVINE Network includes a huge amount of wine and winery information plus recommendations from professionals on decanting times. Users can understand more about their wine by accessing the iFAVINE Network through the APP. Communication between winemakers and consumers will be improved creating a greater experience for everyone. The app also allows you to conveniently control the iSommelier smart decanter wirelessly.



Reduce Harmful Substances in the Wine

iSommelier smart decanter helps reduce sulfur dioxide in the wine more efficiently. It also helps reduce the negative influence from carbon dioxide and other contaminants in the surrounding air.



Aerating Spirits

iSommelier smart decanter also works well with spirits, such as whisky, brandy, Chinese white wine, and Chinese yellow wine.



iFAVINE Network

iFAVINE Network is a data and communication portal for the wine industry all around the world. Our goal is to help create better communication between wineries, winemakers, distributors, restaurants, and consumers, so that our users can receive timely and accurate industry information more quickly and conveniently.

The logo for iFAVINE Network features the word "iFAVINE" in a bold, black, sans-serif font with a registered trademark symbol. A red horizontal line is positioned below "iFAVINE", and the word "Network" is written in a red, sans-serif font below the line. A red Wi-Fi symbol is located above the "i" in "iFAVINE".



iFAVINE Network Advantages



Providing consumers with professional information

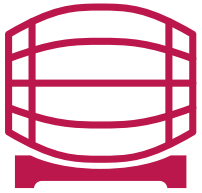
As our database grows, you will be able to find millions of wines and winery information plus recommendations from industry professionals on iFAVINE Network. Users can have a better understanding of a certain wine from its history, features, and even food pairing suggestions.



Helping winemakers and distributors know their end customers better

For winemakers and business users, we provide consumers preferences, consumption behaviours, and other end users data to help businesses know and develop better market strategies.





Wineries

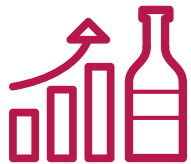
- Wineries stories, activities and updates will be openly shared through our iFAVINE Network letting more consumers understand their wines. Helping to enhance their wineries image.
- Wineries can more accurately promote their brand value to the market.
- Build direct communication channels with consumers, understanding their comments and consumption habits.
- Wineries can access real time consumption of their wines around the world. Helping planning of market strategy
- Winemakers can explain their wine making philosophy and express the taste they most wanted to deliver.



Restaurants

- iFAVINE Network shows consumers highly rated restaurant and hotel information, attracting more consumers to their business.
- iSommeliers exquisite design and amazing decanting experience will encourage more wine sales during dining.
- iFAVINE App will soon provide professional wine and food pairing suggestions, raising the image and popularity of restaurants
- Sommeliers and servers can offer a better quality and efficient wine decanting service.
- Extending interaction between consumers and restaurants to the iFAVINE Network creating an alternative channel to gather consumers comments more systematically.





Distributors

- Based on customers consumption habits and purchasing power, iFAVINE Network can recommend the most appropriate wine or online stores. Letting consumers find the most suitable outlet, increasing the exposure of distributors.
- iFAVINE Network can offer similar products to our users based on their wine preferences, leading to an increase of distributors exposure.
- Allow distributors to build a more direct communication channel with consumers, to understand market activities and adjust marketing strategies accordingly.
- Creating a mechanism for collecting more direct and efficient after sales consumer comments.



Wine Enthusiasts

- Through sharing iFAVINE Network data, consumers can access professional advice provided by wineries, winemakers and sommeliers making the wine tasting process more enjoyable.
- When choosing from a large wine selection, iFAVINE Network can help recommend suitable wines based on your history.
- Share experiences with industry professionals and wine enthusiasts, and make friends with other wine lovers.
- Users can conveniently search wine labels and wine information. Helping consumers understand and learn wine related knowledge more quickly.



Certifications



Reports

- ETS laboratories in United States supports the aeration effect of iSommelier smart decanter with actual test data.
- Australian Wine Research Institute confirms that iSommelier smart decanter helps reduce harmful residues in wine through laboratory tests.



ECO Friendly Product

- iSommelier smart decanters operating power is less than 90 watts , making it energy efficient and less than 1c per operation.
- Life span of product can be used for decanting hundreds of thousands of litres.
- The operating system does not produce any harmful gasses.
- iSommelier smart decanter uses air as the raw material, leading to insignificant operating costs.



Product Information

Colors



Pearl White

Burgundy

Champagne

Gun Metal

Decanting Glasses



200ml

375ml

750ml

Power Rating

Voltage : Europe, Australia, China: 220-240V

United States: 120V

Frequency: 50 / 60Hz

Power : less than 90W

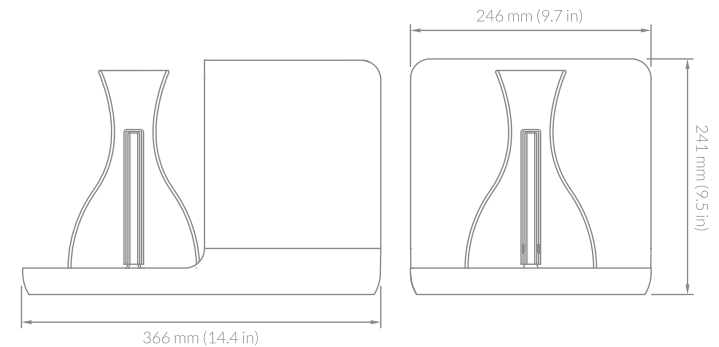
Connectivity

Wireless network 802.11 b/gx,

Required 2.4GHz Router

iFAVINE App Compatibility:

iOS, Android





FRANCE

6, quai de Paludate,
33800 Bordeaux,
France

AUSTRALIA

Suite 5, 1 Chaplin Drive,
Lane Cove West, NSW 2066
Australia

UNITED STATES

2700 Napa Valley Corporate Drive Suite I,
Napa, CA 94558
USA

CHINA

Room 3006, Ever Bright Building,
689 Tianhe North Road, Tianhe District, Guangzhou, P.R.
China

iFAVINE Group
www.ifavine.com